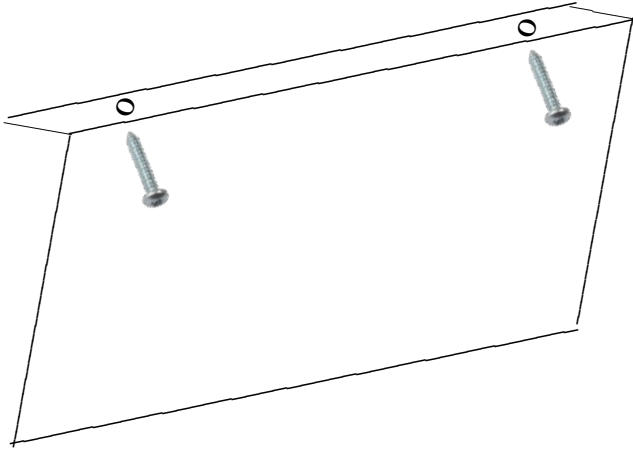


Many thanks for purchasing Soffit NestStop™

Take a moment to read these simple fitting instructions and your problem with birds building nests along your soffit will be over for good.

If you can tell your friends about our product it will be very much appreciated.

Thanks again.



The jointing strap is made from the same clear plastic as Soffit NestStop and fitted with clear glue tabs (*Outlined in blue in above picture*)

- 1) Soffit NestStop is very easy to fit - simply screw to soffit - two screws per unit.
- 2) Remove protective backing from glue tabs
- 3) Place clear plastic jointing strap over joint at the bottom of adjoining lengths of Soffit NestStop.

Pick a dry day - it is important that the surface is dry to allow glue tabs to adhere properly.

www.StopBirdsNesting.net